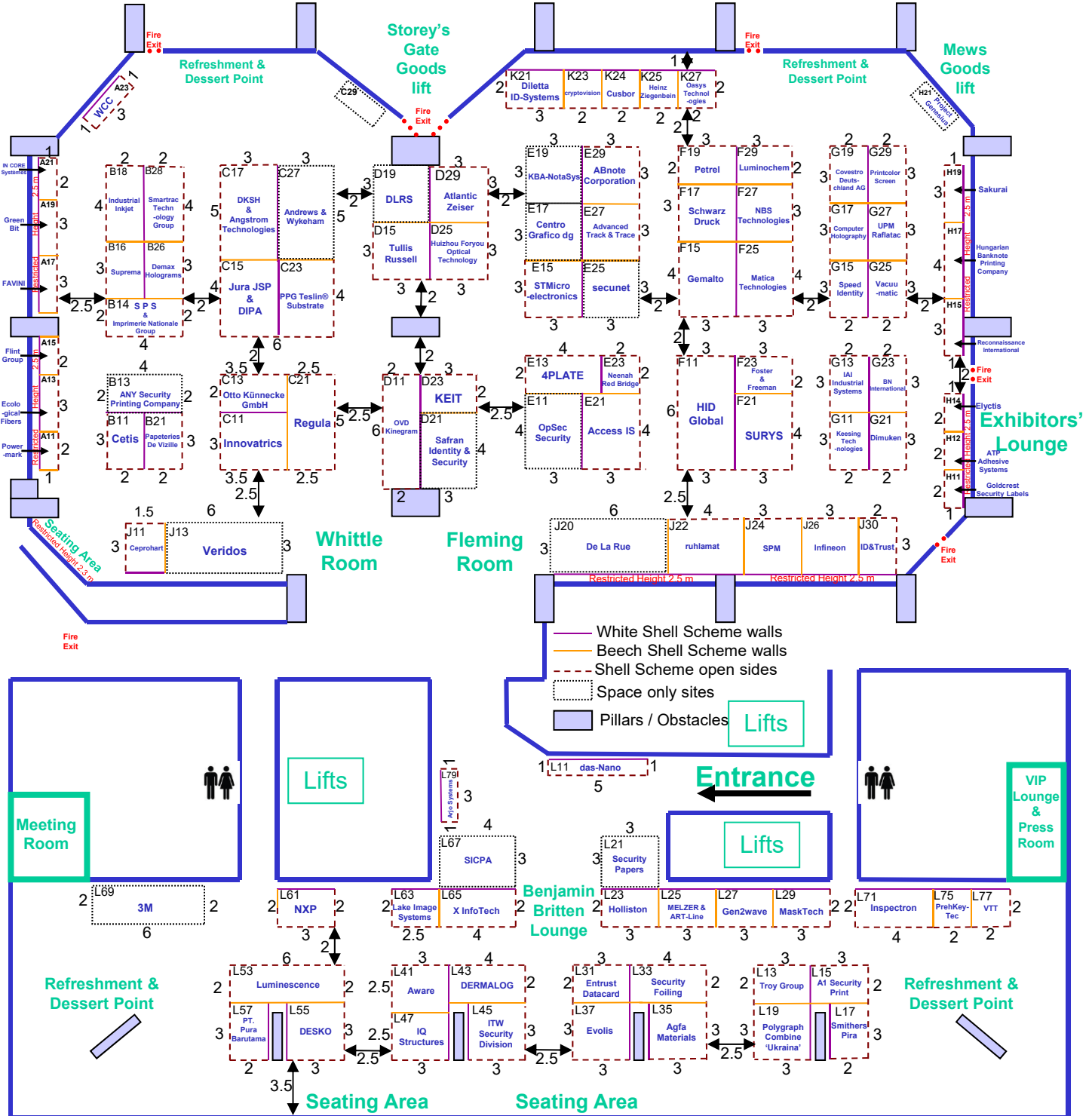




**SDW  
2017**

**O&E II CENTRE, WESTMINSTER, LONDON, UK**  
CONFERENCE: 26-28 JUNE 2017 • EXHIBITION: 27-28 JUNE, 2017

# Exhibition Floor Plan – 3<sup>rd</sup> Floor



**This plan is intended for guidance only and does not form any contract, representation or warranty, expressed or implied**

Layout subject to alteration at the discretion of The Organiser

All dimensions in metres. Scale 1:300. Note 1m = 3ft. 3.37 ins.

**Exhibition Enquiries:** Janine Bill, Science Media Partners Ltd, 25 Horseshoe Park, Horseshoe Road, Pangbourne, Reading, RG8 7JW UK  
Tel: +44 (0) 1189 843209; Fax: +44 (0) 2920 946850; Email: j.bill@sciencemediapartners.com

10<sup>th</sup> Nov 2016