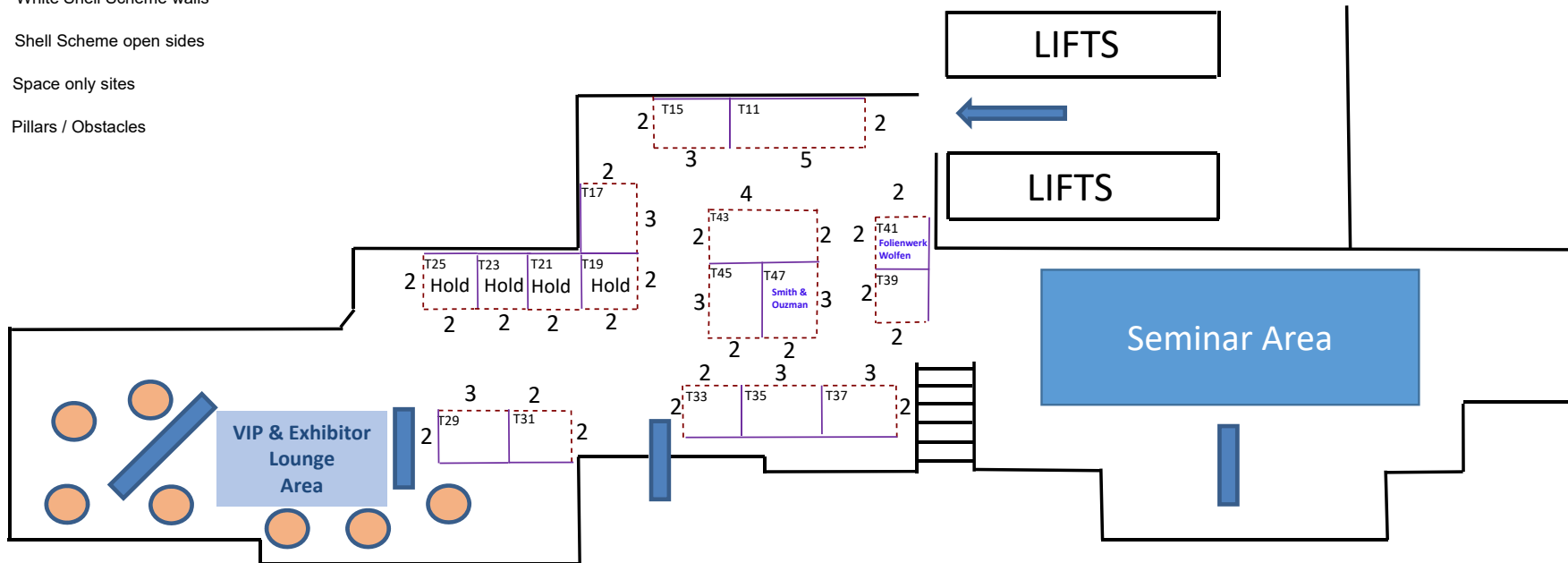


# Exhibition Floor Plan – 2<sup>nd</sup> Floor



OEII CENTRE, WESTMINSTER, LONDON, UK  
 CONFERENCE: 25-27 JUNE 2018 • EXHIBITION: 26-27 JUNE, 2018

- White Shell Scheme walls
- Shell Scheme open sides
- Space only sites
- Pillars / Obstacles



**This plan is intended for guidance only and does not form any contract, representation or warranty, expressed or implied**

Layout subject to alteration at the discretion of The Organiser

All dimensions in metres. Scale 1:300. Note 1m = 3ft. 3.37 ins.

**Exhibition Enquiries:** Janine Bill, Science Media Partners Ltd, 25 Horseshoe Park, Horseshoe Road, Pangbourne, Reading, RG8 7JW UK  
 Tel: +44 (0) 1189 843209; Fax: +44 (0) 2920 946850; Email: [j.bill@sciencemediapartners.com](mailto:j.bill@sciencemediapartners.com)

7<sup>th</sup> Dec 2017